

**Eaton** ET3000 Portable Crimper





# EAT•N

Powering Business Worldwide

## The Power of Eaton



There's a certain energy at Eaton. It's the power of integrating the competencies of some of the world's most respected names to build a brand you can trust to meet every power management need. The energy created supports our commitment to powering business worldwide.

As the world's demand increases for high-efficiency hydraulic systems for mobile and stationary applications, Eaton is helping to solve these challenges more reliably, efficiently, and sustainably. Our goal is simple; to provide unique solutions across a wide range of markets that keep businesses on the leading edge of change. Visit [Eaton.com/hydraulics/fusion](http://Eaton.com/hydraulics/fusion).

**That's the power of Eaton.**

# EAT•N

Powering Business Worldwide

# Serving eight key segments - sharing one focus



## Alternative Energy

Making energy sources technically practical and economically sound requires the kind of control made possible by high-quality components. When Eaton is on the inside, you will experience the reliable, consistent performance to create and capture energy—making renewable energy an every-day energy.



## Discrete Manufacturing

Produce at peak efficiency with the superior precision and repeatability of Eaton products. Eaton hydraulic components provide the precise control and consistent operation required for virtually every step in your manufacturing operation. With Eaton, we'll help you redefine the meaning of raw productivity.



## Oil & Gas

As the oil & gas industry continues to face further globalization and consolidation, large-scale organizations that can meet your needs in every corner of the world are more difficult to find. At Eaton, our portfolio of products is only surpassed by our tremendous reach.



## Processing

Whatever your industry, no matter which processes you manage, Eaton parts and systems help keep you up and running. Our components make equipment more efficient and easier to use, so you get optimal machine performance and maximum productivity.



## Agriculture & Forestry

There's a reason farming and forestry are called "working the land." These segments involve some of the hardest work and longest hours of any sector in the economy. Your productivity and profitability depend on the way you manage time and tasks.



## Commercial Vehicles

Eaton technologies can make your driving operation more successful. Greater comfort and productivity help increase driver retention, while reduced emissions, leaks, and noise improve environmental performance. Increased efficiencies overall mean lower costs and higher net revenue.



## Material Handling

Eaton hydraulic systems provide the precise control and consistent operation required for material handling and utility work. With a broad selection of products and solutions built in, Eaton helps make you a master of your domain.



## Construction & Mining

When you work on a large scale, even the details are big. You need to trust every part of the equipment that lets you handle construction and mining jobs. For reliable components that deliver consistent performance in extreme conditions, turn to Eaton.

## Eaton is a leading diversified power management company

Eaton provides reliable, efficient and safe power management for a growing number of industries.

### Understanding and helping our customers succeed

- Listening and understanding to requirements and business drivers
- Delivering solutions with value propositions to solve the critical business needs

### Knowing what's important to our customers and integrating that knowledge into the fabric of our business

- ...to deliver innovative, quality products
- ...to respond fast
- ...to provide dedicated customer service and support around the globe

### Our strength is global reach with local responsiveness and support

- Customers served in more than 150 countries
- Diverse channels ensure reliable availability and support
- Design and engineering teams provide support for standard products and custom solutions
- Eaton experts offer efficient product and application training

# Introduction

Eaton is proud to launch the ET3000 positive stop portable crimp machine to its portfolio of high quality assembly machines. Eaton's ET3000 crimper offers maximum flexibility to manufacture quality hose assemblies no matter how challenging the environment. Whether in the shop or in the field, the ET3000 has the capability and capacity to meet almost every application need. The ET3000 is capable of crimping Aeroquip one wire, two wire and four spiral MatchMate hoses, Eaton Teflon® hoses and Eaton Thermoplastic 100R7 and 100R8 hoses.

With a base machine weight of approximately 100 pounds, the ET3000 is equipped with two ergonomic handles and a robust frame for quick and easy transport. The ET3000 crimp machine uses the Eaton two-piece collet style crimp dies and a color-coded spacer ring to achieve a consistent crimp every time without the need for calibration or additional adjustments.

The ET3000 has four 10,000 psi power supply options: Hand pump, Air/Hydraulic, Turbo Air/Hydraulic and 110 volt Electrical Pump. These power supply options provide end users with the ability to manufacture assemblies in almost any environment. Whether it is a one-off assembly in the field or the need for consistent production assemblies in the shop, the ET3000 has the capability to meet all of your needs.

## Features

- Eaton 2-Piece Collet Crimp System which is also used in the Eaton ET1000
- Available Power Units: Hand Pump, Air/Hydraulic, Turbo Air/Hydraulic and 110V Electric Pump
- Color-coded spacer rings control crimp diameter
- Variable frame position for flexible and easy access
- Hinged ergonomic handles with grips
- Crimp Capability:
  - Aeroquip TTC braided fittings and applicable MatchMate hoses in sizes ¼" through 1-¼"
  - Aeroquip TTC12 spiral fittings and applicable MatchMate hoses in sizes 3/8" through 1-¼"
- Eaton E-Series fittings and applicable STW, SCTW, 2807 and FC465 hoses in sizes 3/8" through 1"
- Eaton TTC fittings with insert and applicable 3130, 3740, 3R80, 3R82, 3E82 and 3E82 hoses in sizes 3/8" through 1"

## Benefits

- Versatile power source options
- Transportable between work locations
- Positive stop crimp diameter control allows for consistent crimping with no operator adjustments
- Substantial power for the shop, flexible enough to use on the job site
- Ability to crimp braided, spiral, Teflon and Thermoplastic hoses

## ET3000 Crimp Machine and Tooling Packages

Base Machine #	Part Number	Package Contents *	Hose fitting sizes crimped**			Catalog Page
			TTC-Series	TTC 12 Series	E-Series	
ET3000	ET3000-AH	ET3000 press, hand lever air/hydraulic pump	-	-		5
ET3000	ET3000-HP	ET3000 press, hand pump	-	-		5
ET3000	ET3000-EP	ET3000 press, 110v pump	-	-		6
ET3000	ET3000-TA	ET3000 press, foot treadle air/hydraulic pump	-	-		6
ET3000	ET3000-001	ET3000-HP press, pump (TTC and TTC12 tooling)	-4 to -20	-6 to -20		6
ET3000	ET3000-002	ET3000-AH press, pump (TTC and TTC12 tooling)	-4 to -20	-6 to -20		6
ET3000	ET3000-003	ET3000-TA press, pump (TTC and TTC12 tooling)	-4 to -20	-6 to -20		6
ET3000	ET3000-004	ET3000-EP press, pump (TTC and TTC12 tooling)	-4 to -20	-6 to -20		6
ET3000	ET3000-005	ET3000 less hose & pump (Machine only)	-	-		6
ET3000	ET3000TP-0001	TTC (-4 to -20) and TTC12 (-6 to -20) tooling	-4 to -20	-6 to -20		9
ET3000	ET3000TP-0002	TTC (-4 to -20) tooling	-4 to -20	-		9
ET3000	ET3000TP-0003	TTC12 (-6 to -20) tooling	-	-6 to -20		10
ET3000	ET3000TP-0004	E-Series (-4 to -16) tooling	-	-	-4 to -16	10
ET3000	ET3000TP-0005	TTC (-4 to -16) tooling (thermoplastic)	-4 to -16			10
ET3000	T-481-10	110v Volt pump	-	-		7
ET3000	T-480-2	Two stage hand pump	-	-		7
ET3000	T-480-3	Turbo Air/Hydraulic pump	-	-		7
ET3000	T-480-2	Air/Hydraulic pump	-	-		7

\* Hose assembly included if pump is included.

\*\* Collets and spacers to crimp fitting size ranges noted are included in packages except -10 size collets/dies typically not included.

Teflon® is a registered trademark of DuPont licensed for its use to Eaton.

# ET3000 Crimp Machines

## ET3000-HP\* Portable Crimp Press & Hand Pump Package



**Capacity**  
1/4" through 1 1/4" one and two wire braid MatchMate hose, 3/8" through 1 1/4" four spiral MatchMate hoses, 3/8" through 1" Teflon hoses, 3/8" through 1" thermoplastic hoses

**Mounting**  
Free Standing Base

**Size**  
22-1/2" high, 14" long, 10-1/2" wide

**Total Weight**  
112 lbs.

## T-480-2 Pump Specifications:

**Dimensions**  
7-3/16" high, 21-1/64" long, 4-3/4" wide

**Pressure**  
0-10,000 psi

**Outlet Port Size**  
3/8" NPT

**Reservoir Capacity**  
55 cu. in.

**Hydraulic Oil**  
Enerpac

\*Includes T-480-68 Blue pusher extension ring and should be used with ET3000 Portable Crimp Machines when no spacer ring is called out.

## ET3000-AH\* Portable Crimp Press & Air/ Hydraulic Pump Package



**Capacity**  
1/4" through 1 1/4" one and two wire braid MatchMate hose, 3/8" through 1 1/4" four spiral MatchMate hoses, 3/8" through 1" Teflon hoses, 3/8" through 1" thermoplastic hoses

**Mounting**  
Free Standing Base

**Size**  
22-1/2" high, 14" long, 10-1/2" wide

**Total Weight**  
124 lbs.

## T-482-2 Pump Specifications:

**Dimensions**  
5" high, 14-5/8" long, 5-5/8" wide

**Pressure**  
0-10,000 psi

**Outlet Port Size**  
3/8" NPT

**Inlet Port**  
1/4" NPT

**Pump Inlet Air Pressure**  
60-100 psi

**Reservoir Capacity**  
36 cu. in.

**Hydraulic Oil**  
Enerpac

**Note:** It is recommended that a filter, regulator, lubricator, and air pressure gauge be installed upstream from the pump. Filter, regulator, and lubricator units are not included.

\*Includes T-480-68 Blue pusher extension ring and should be used with ET3000 Portable Crimp Machines when no spacer ring is called out.

# ET3000 Crimp Machines

## ET3000-TA\* Portable Crimp Press and Turbo Air/Hydraulic Pump Package



**Capacity**  
1/4" through 1 1/4" one and two wire braid MatchMate hose, 3/8" through 1 1/4" four spiral MatchMate hoses, 3/8" through 1" Teflon hoses, 3/8" through 1" thermoplastic hoses

**Mounting**  
Free Standing Base

**Size**  
22-1/2" high, 14" long, 10-1/2" wide

**Total Weight**  
116 lbs.

**T-480-3 Pump Specifications:**

**Dimensions**  
8-1/4" high, 12-3/8" long, 8" wide

**Pressure**  
0-10,000 psi

**Outlet Port Size**  
3/8" NPT

**Inlet Port**  
1/4" NPT

**Pump Inlet Air Pressure:**  
40-150 psi

**Reservoir Capacity**  
150 cu. in.

**Hydraulic Oil**  
Enerpac

**Note:** It is recommended that a filter, regulator, lubricator, and air pressure gauge be installed upstream from the pump. Filter, regulator, and lubricator units are not included.

\*Includes T-480-68 Blue pusher extension ring and should be used with ET3000 Portable Crimp Machines when no spacer ring is called out.

## ET3000-EP\* Portable Crimp Press and 110v Electric Pump Package



**Capacity**  
1/4" through 1 1/4" one and two wire braid MatchMate hose, 3/8" through 1 1/4" four spiral MatchMate hoses, 3/8" through 1" Teflon hoses, 3/8" through 1" thermoplastic hoses

**Mounting**  
Free Standing Base

**Size**  
22-1/2" high, 14" long, 10-1/2" wide

**Total Weight**  
134 lbs.

**T-481-110 Pump Specifications:**

**Electrical Power Source**  
15amp, 110v grounded 1Ph 50/60HZ

**Dimensions**  
14-1/4" high, 9-5/8" long, 9-5/8" wide

**Pressure**  
0-10,000 psi

**Outlet Port Size**  
3/8" NPT

**Reservoir Capacity**  
115.5 cu. in.

**Hydraulic Oil**  
Enerpac

**Flow**  
.5 to 1.0 gpm

**Motor Rating**  
1/2 hp universal, 9 amps at 10,000 psi

\*Includes T-480-68 Blue pusher extension ring and should be used with ET3000 Portable Crimp Machines when no spacer ring is called out.

## Crimp Machine Packages

Package #	ET3000-001	ET3000-002	ET3000-003	ET3000-004	ET3000-005
Power Source	Hand pump	Air/Hydraulic (Hand Switch)	Turbo Air/Hydraulic (Foot Pedal)	110V	N/A
<b>Contents</b>					
Press, Pump and Hose Assembly	ET3000-HP	ET3000-AH	ET3000-TA	ET3000-EP	Press only
Adapter Ring	T-420-25	T-420-25	T-420-25	T-420-25	T-420-25
TTC and TTC12 Tooling (not including -10)*	ET3000 TP-0001	ET3000 TP-0001	ET3000 TP-0001	ET480TP-0001	N/A

\* one and two wire (-4 to -20) and four spiral (-6 to -20)

## Collet Kit Packages

Part Number	Description	Hoses Approved
ET3000TP-0001	TTC (-4 to -20) and TTC12 (-6 to -20)	MatchMate braided and spiral
ET3000TP-0002	TTC (-4 to -20)	MatchMate braided
ET3000TP-0003	TTC12 (-6 to -20)	MatchMate spiral
ET3000TP-0004	TTC (-4 to -16)	Thermoplastic
ET3000TP-0005	E-Series (-4 to -16)	Teflon

## Power Units and Crimp Components

### T-481-110 110V Volt Pump



**For use with:** ET3000

**Weight:** 32 lbs.

**Size:** 14-1/4" high, 9-5/8" deep, 9-5/8" wide

**Pressure:** 10,000 psi

### T-480-2 Two-Stage Hand Pump



**For use with:** ET3000

**Weight:** 9 lbs.

**Size:** 7" high, 21" deep, 4-3/4" wide

**Pressure:** 10,000 psi

### T-480-3 Turbo Air/Hydraulic Pump



**For use with:** ET3000

**Weight:** 16.5 lbs.

**Size:** 8-1/4" high, 12-3/8" deep, 8" wide

**Pressure:** 10,000 psi

### T-482-2 Turbo Air/Hydraulic Pump



**For use with:** ET3000

**Weight:** 16.5 lbs.

**Size:** 8-1/4" high, 12-3/8" deep, 8" wide

**Pressure:** 10,000 psi

### Spacer Rings



Designed for the crimping of various hose and hose fittings. Each ring marked by part number and color-coded for easy identification.

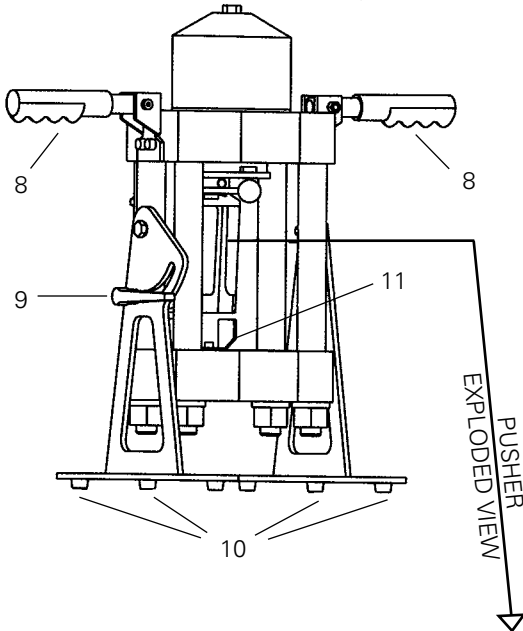
### Collets



The two-piece caged style fits easily into the palm of the hand for quick and easy transfer of collets. The eight segment design creates a full 360 crimp and features a replaceable cage.

# ET3000 Crimp Machine

## ET3000 • Portable Machine Crimp Repair and Replacement Items



Item Number	Part Number	Description
1	T-480-P	Pusher
2	T-480-PSK	Pusher Stop Repair Kit (Includes pusher clip, 2 machine screws, pusher stop and spring)
3	T-480-SP	Slider Plate
4	140-05485-01	Roll Pin
5	T-480-SFK	Slide Flange Kit (Includes slide flange, 2 bushings and 2 machine screws)
6	T-480-SPR	Slide Pull Rod
7	T-480-SPK	Slide Pull Knob
8	140-06601	Vinyl Grip
9	T-480-TBK	Tilt Bracket Knob
10	140-06894	Foot Pad
11	T-480-69	Tool Locator Bracket
#	T-480-16	10,000 PSI replacement hose assembly for 480-HP
#	T-480-17	10,000 PSI replacement hose assembly for T-480-TA and T-480-EP
#	T-480-18	10,000 PSI replacement hose assembly for 480-AH
#	140-06906	Hydraulic Quick Coupler used with the T-480-TA and T-480-EP System
#	T-480-3	Turbo Air/Hydraulic replacement pump for T-480-TA System
#	T-481-110	Electric replacement pump for T-480-EP System
#	T-480-2	Hand replacement pump for T-480-HP System
#	T-482-2	Air/Hydraulic replacement pump for T-480-AH System

# Item not illustrated in parts breakdown.

For proper assembly instructions, please review the Eaton ET3000 Crimp video on [www.Eaton.com/hydraulics](http://www.Eaton.com/hydraulics)



## Optional Tooling & Kits

### ET3000TP-0001

TTC and TTC12 Tooling Package (GH663, GH120, GH194, GH195, GH781, FC735, GH793, FC735, GH493 & FC736)\*  
Kit includes one each of the following:

Part Number	Description	Color
ET1000SR-M315A	Spacer Ring	Orange
T-400-38	Spacer Ring	Red
ET1000SR-M265D	Spacer Ring	Black
ET1000SR-M115D	Spacer Ring	Yellow
ET1000SR-M100A	Spacer Ring	Purple
T-400-46R	Spacer Ring	Tan
ET1000SR-M190D	Spacer Ring	Lt. Green
T-400-112	Spacer Ring	Tan
ET420SR-M495A	Spacer Ring	Brown
ET420SR-M255A	Spacer Ring	Black / Grey
T-420-29	Spacer Ring	Orange
T-420-82R	Spacer Ring	Blue
ET1000DC-M500S	Collet Ass'y	
ET1000DC-M320S	Collet Ass'y	
ET1000DC-M295S	Collet Ass'y	
ET1000DC-M250S	Collet Ass'y	
ET1000DC-M390S	Collet Ass'y	
ET1000DC-M430S	Collet Ass'y	
ET400DC-M195S	Collet Ass'y	
ET400DC-M230S	Collet Ass'y	
ET400DC-M150S	Collet Ass'y	

### ET3000TP-0002

TTC ONLY Tooling Package (GH663, GH120, GH194, GH195, GH781, FC735 & GH793)\*  
Kit includes one each of the following:

Part Number	Description	Color
ET1000SR-M265D	Spacer Ring	Black
ET1000SR-M115D	Spacer Ring	Yellow
ET1000SR-M100A	Spacer Ring	Purple
T-400-46R	Spacer Ring	Tan
ET1000SR-M190D	Spacer Ring	Lt. Green
T-400-112	Spacer Ring	Tan
ET420SR-M495A	Spacer Ring	Brown
ET420SR-M255A	Spacer Ring	Black / Grey
T-420-29	Spacer Ring	Orange
T-420-82R	Spacer Ring	Blue
ET1000DC-M295S	Collet Ass'y	
ET1000DC-M250S	Collet Ass'y	
ET1000DC-M390S	Collet Ass'y	
ET1000DC-M430S	Collet Ass'y	
ET400DC-M195S	Collet Ass'y	
ET400DC-M230S	Collet Ass'y	
ET400DC-M150S	Collet Ass'y	

\* Crimp Specification found on Eaton.com/Hydraulics

## Optional Tooling & Kits

### ET3000TP-0003

TTC12 ONLY Tooling Package (GH493 & FC736)\*  
Kit includes one each of the following:

<b>Part Number</b>	<b>Description</b>	<b>Color</b>
ET1000SR-M315A	Spacer Ring	Orange
T-400-38	Spacer Ring	Red
ET1000SR-M265D	Spacer Ring	Black
ET1000SR-M190D	Spacer Ring	Lt. Green
ET1000DC-M500S	Collet Ass'y	
ET1000DC-M325S	Collet Ass'y	
ET1000DC-M295S	Collet Ass'y	
ET1000DC-M250S	Collet Ass'y	
ET400DC-M230S	Collet Ass'y	
ET1000DC-M430S	Collet Ass'y	

### ET3000TP-0004

"E" Series PTFE Hose Tooling Package (STW, SCTW, 2807 & FC465)\*  
Kit includes one each of the following:

<b>Part Number</b>	<b>Description</b>	<b>Color</b>
T-400-38	Spacer Ring	Red
ET1000SR-M215A	Spacer Ring	Majenta
T-400-62	Spacer Ring	Yellow
T-400-10	Spacer Ring	Black
T-400-5C	Collet Ass'y	
T-400-4C	Collet Ass'y	
T-400-40C	Collet Ass'y	
T-400-2C	Collet Ass'y	
T-400-120C	Collet Ass'y	
ET1000DC-M065S	Collet Ass'y	

### ET3000TP-0005

TTC Thermoplastic Hose w/ FF91064 Sleeve Tooling Package (3130, 3740, 3R82, 3E82, 3R80 & 3E80)\*  
Kit includes one each of the following:

<b>Part Number</b>	<b>Description</b>	<b>Color</b>
ET420SR-M215A	Spacer Ring	Black / Majenta
T-400-46R	Spacer Ring	Black / Tan
ET1000SR-M115D	Spacer Ring	Yellow
T-400-62	Spacer Ring	Yellow
T-400-37	Spacer Ring	Green
ET1000DC-M390S	Collet Ass'y	
ET1000DC-M295S	Collet Ass'y	
T-400-42C	Collet Ass'y	
ET400DC-M195S	Collet Ass'y	
T-400-121C	Collet Ass'y	

\* Crimp Specification found on Eaton.com/Hydraulics

Eaton  
Hydraulics Group USA  
14615 Lone Oak Road  
Eden Prairie, MN 55344  
USA  
Tel: 952-937-9800  
Fax: 952-294-7722  
[www.eaton.com/hydraulics](http://www.eaton.com/hydraulics)

Eaton  
Hydraulics Group Europe  
Route de la Longeraie 7  
1110 Morges  
Switzerland  
Tel: +41 (0) 21 811 4600  
Fax: +41 (0) 21 811 4601

Eaton  
Hydraulics Group Asia Pacific  
Eaton Building  
4th Floor, No. 3 Lane 280  
Linhong Rd.  
Changning District  
Shanghai 200335  
China  
Tel: (+86 21) 5200 0099  
Fax: (+86 21) 5200 0400